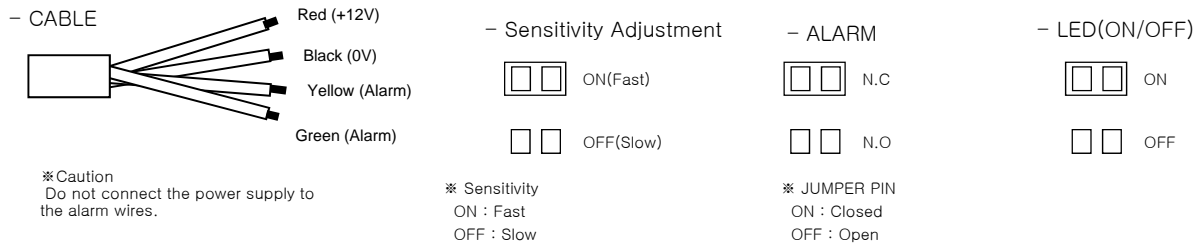


4. Wiring & JUMPER PIN

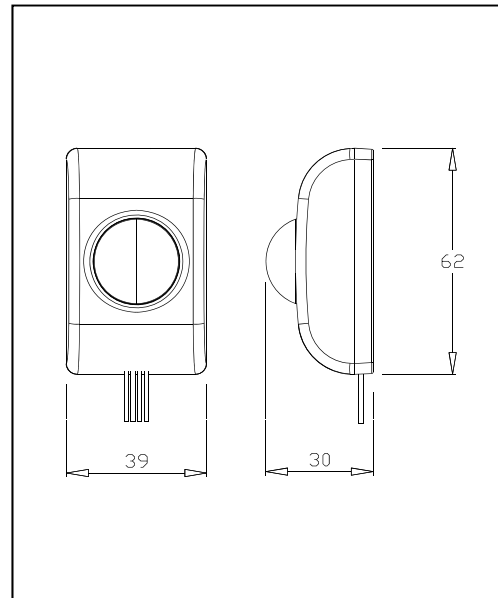


5. Troubleshooting

Symptoms	Cause	Solution
When LED is not turned on,	Lines of electricity source are cut.	Check the lines
	Electricity source is not correct.	Check it to DC 8 ~ 18V
No contact point although it is set	Cutting lines or abnormality of inner circuit	Check the lines of connection
No contact point when detected	Cutting lines or abnormality of inner circuit	Check the lines of connection
LED is not working when detected	Cutting lines, LED broken down or abnormality of inner circuit.	Check the lines of connection
When there is abnormal working	There is dirt on the cover	Remove dirt with soft cloth
	When it is exposed to direct ray of light	Install it to another place or block the light
	When it can't detect normally	Adjust the scope of alert

6. Specification & Dimension

Model	PA-4109W
Description	Passive Infrared motion detecting
Detection Range	WIDE Angle : 9m / SPOT : 6m
Zone	31 Pairs (62 Zone)
Supply Voltage	DC 8 ~ 18V (Polarity)
Current	25mA (MAX)
Alarm Output	Dry Contact Relay Output (NC/NO)
Temperature	-20℃ ~ 60℃
Mounting Site	Indoor
Material	COVER, BASE: ABS resin / LENS: PE resin
Dimension	39 x 62 x 30mm
Weight	27g
Features	Auto Sensitivity Inhibition Control, etc.



※ Caution : This specification may be changed without prior notice for development

Delton

1141 Budapest, Fogarasi út 77. 1095 Budapest, Mester utca 34.
Tel.: *220-7940, 220-7814, 220-7959, Tel.: *218-5542, 215-9771, 215-7550,
220-8881, 364-3428 Fax: 220-7940 216-7017, 216-7018 Fax: 218-5542
Mobil: 30 531-5454, 30 939-9989 Mobil: 30 940-1970, 20 949-2688

E-mail: delton@delton.hu Web: www.delton.hu

www.saso.hu