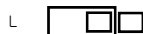


- SENSITIVITY CONTROL



- ▶ H (High) : Under a good condition, you may select the high sensitivity
- ▶ L (Low) : Under a harsh condition of installation, you can select the low sensitivity.

***Note:** It is designed for indoor use only. It cannot be used for outdoor.

* Please refer to the below table to use it together with optional bracket (B-4001);

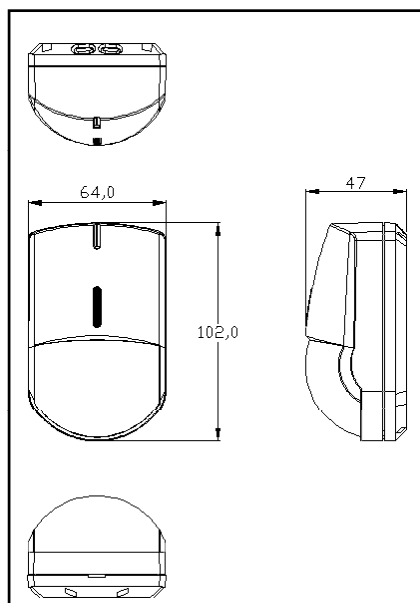
| Installation Height (2.5m) | Detection Distance (m) | | | |
|----------------------------|------------------------|-----|----|-----|
| | 3m | 5m | 7m | 10m |
| Angle | 20° | 10° | 5° | 0° |

5. Troubleshooting

| Symptoms | Cause | Solution |
|---|---|---|
| LED does not turn on | The electric cord is unconnected or cut. | Check the electric cords. |
| | Not enough voltage has supplied. | Supply electricity of DC 8~18V |
| No connecting point even though it is set well | Cutting lines or abnormality of inner circuit | Check the connection lines |
| No connecting point when detection occurred | Cutting lines or abnormality of inner circuit | Check the connection lines |
| LED light does not work when detection occurred | Cutting lines, abnormality of inner circuit or LED broken down. | Check the connection lines |
| Abnormal working | Some dirt on the cover | Remove dirt from the cover with soft clothes |
| | Exposed to direct ray of light | Move the unit to another place or block the light |
| | Wrong detection range adjustment | Adjust the detection range |

6. Specification & Dimension

| | |
|------------------|---|
| Model No. | PA-4010PQ (Pet Immunity & Quad type) |
| Detection System | Passive Infrared motion detecting |
| Alert Range | Stereoscopic alert / alert distance : 10m / 84° |
| Zone | 37 Pairs (148 Zones) |
| Voltage | DC 8 ~ 18V (polarity) |
| Current | Max. 30mA |
| Alarm output | Non-voltage contact point output (choice of N.C / N.O) Time of contact point : 2 sec(± 0.5 sec) volume of contact point : AC/DC 30V 0.2A Max (Protection Resistance : 18Ω) |
| Alarm LED(RED) | Blink when warming up / LED off when setting / LED on when detecting |
| Tamper output | Non voltage contact point out put N.C Volume of contact point : AC/DC 30V 0.2A Max |
| Temperature | -20℃ ~ 60℃ |
| Installation | Indoor |
| PET function | It can't detect small animals under 10 kg |
| Material | COVER, BASE: ABS resin, LENS: PE resin |
| Dimension | 102 x 64 x 47 mm |
| Weight | 68g |



* Caution: This specification may be changed without prior notice for development

1141 Budapest, Fogarasi út 77. 1095 Budapest, Mester utca 34.
Tel.: *220-7940, 220-7814, 220-7959, Tel.: *218-5542, 215-9771, 215-7550,
220-8881, 364-3428 Fax: 220-7940 216-7017, 216-7018 Fax: 218-5542
Mobil: 30 531-5454, 30 939-9989 Mobil: 30 940-1970, 20 949-2688

E-mail: delton@delton.hu Web: www.delton.hu

www.saso.hu